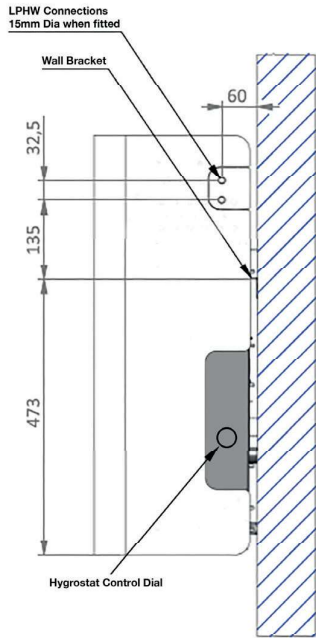


DH35AX/LPHW Air Heating Data Sheet

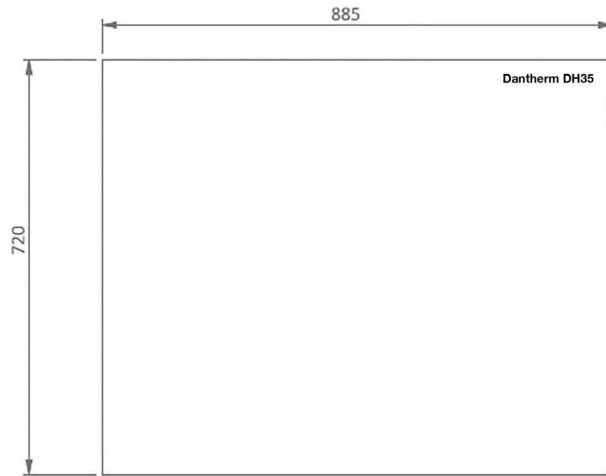
DH35 Wall mounted

Weight of unit: 50kg

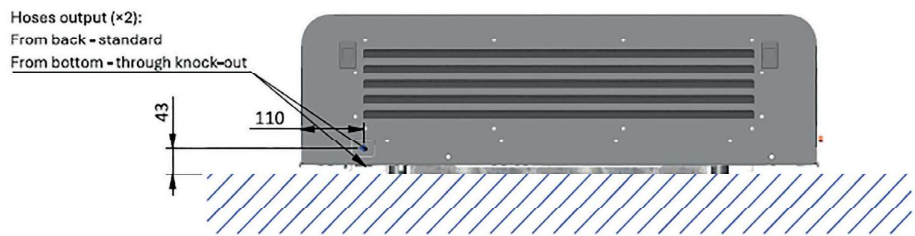
Dimension when packed in mm: 986W x 366D x 920H



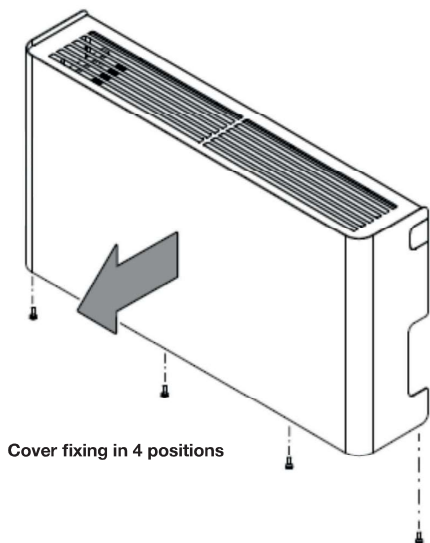
End View



Front View



Underside View



DH35AX/LPHW Specifications

Main Fan / Re-circulating	Model DH35AX/LPHW
Re-circulating air flow - nominal (m ³ /hr)	500
Dehumidification Duty (l/hr) @ 30°C/60% RH	
By heat pump	1.22
<hr/>	
Heat To Air (kW)	
Via Heat Pump	2
Via LPHW @ 82°	3.8
Via Integral Electric Air Heater	N/A
Maximum Available Heat to Air	5.3
<hr/>	
Electrical & Sound Data	
Nominal Power Consumed (kW) @ 30°C/60% RH	0.876
Nominal Running current (Amp) I _{ph}	4
Fuse Required (Amp) I _{ph}	10
Noise Level @ 1m (dBA)*	48
<hr/>	
Plumbing Requirements (where fitted)	
LPHW (Boiler) Connections (mm)	15 Stub
LPHW (Boiler) Flow Rate (L/min)	5
Condensate drain (")	1/6
<hr/>	
Recommended Boiler output (kW)*	3.8
*only applicable with LPHW air heater option	
Refrigerant charge	R-454C (500 g)

LPHW = Low Pressure Hot Water